

RCBO 1 Pole Single Module 6KA

RCBOs are combined mechanisms that provide overcurrent and earth leakage protection.



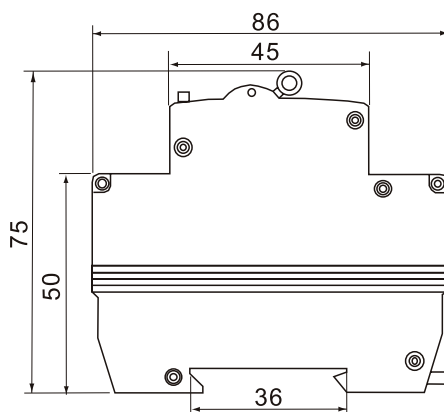
RCBOs 1 Pole Single Module 6KA

| Rating | Product Code |
|------------|--------------|
| 10A | AV6RCBO-1/10 |
| 16A | AV6RCBO-1/16 |
| 20A | AV6RCBO-1/20 |
| 25A | AV6RCBO-1/25 |

SPECIFICATIONS

| | |
|----------------------------------|--------------------|
| Rated Voltage | 230/240AC |
| Rated Frequency | 50/60Hz |
| Rated Residual Operating Current | 30mA |
| Rated Current | 10A, 16A, 20A, 25A |
| Rated Breaking Capability | 6kA |
| Number of Poles | 1P+N |
| Electro-Mechanical Endurance | 4000 |
| Instantaneous Trip Type | C-Type |
| Mounting | DIN Rail Mounting |
| Standard | IEC 61009-1 |
| RCBO Dimensions | 75mm x 86mm |

DIMENSIONS



WIRING DIAGRAM

